

## New products

### CORONA-i XT-281 corona discharge tester

~ The corona discharge test suitable for the inverter driven motor can be done. ~



#### Feature

Detect the corona discharge, Display discharge Rate, Decision pass or fail.

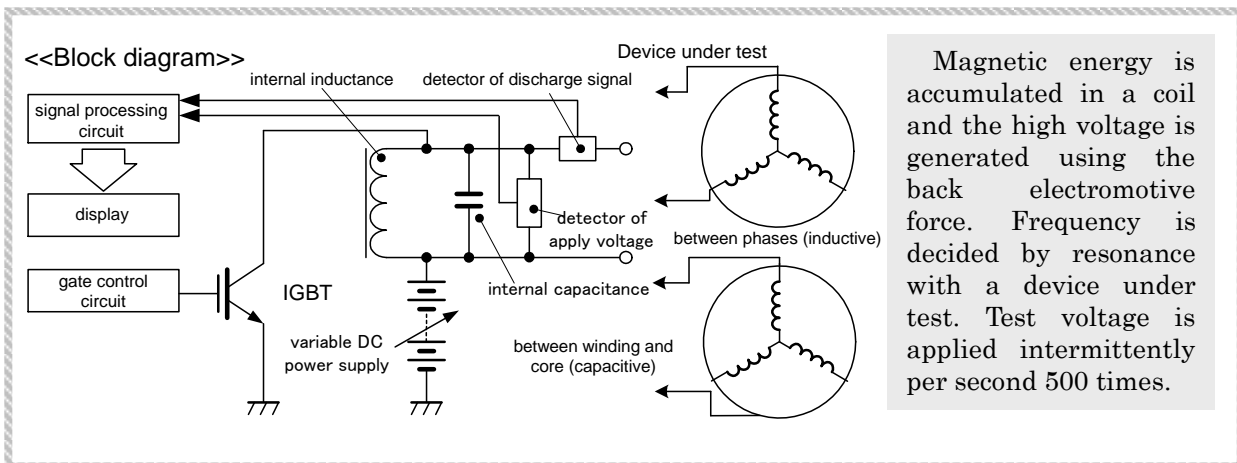
#### Application

Inverter driven motor (IPM, SPM)

#### Function newly developed

1. Display Discharge Rate(0~100%)
2. Discharge is changed into sound and monitored.

Test voltage wave form.



#### Specification

- Test voltage Max 5kVzero-peak
- Test frequency 33kHz ~ 200kHz
- Test waveform Damped sine wave intermittent apply (Cycle period 500Hz)
- Load impedance 200 $\mu$ H~3mH, below 2nF
- Display Corona Rate 0 ~ 100 Flashover 0 ~ 127  
High Voltage 0 ~ 5kVzero-peak
- Monitor out Flashover, +High Voltage, -High Voltage, Peak Current, Discharge Monitor, Sync
- Dimensions Main equipment : 430(W) $\times$ 470(D) $\times$ 180(H)mm Mass17kg  
Probe box : 430(W) $\times$ 470(D) $\times$ 180(H)mm Mass15kg
- Power supply AC 100V, AC 220V (select)  $\pm$ 10%

#### Adphox Corporation

7F Tomi-Tower 10-6-1 Kabemachi Oume-City Tokyo 198-0036 Japan

Tel: 81-428-24-6042 Fax: 81-428-24-6069

E-mail: adphox@aaa.email.ne.jp Web Site: www.adphox.co.jp